

#BT 23162Z/A6 NE
 Calgary, Alberta
 Canada, T2E 1A7

NOTICE

The purchaser agrees when purchasing this plan (the "plan") to build or construct the object or project set out in the plan (the "Project") for his/her/its personal use only and not for any other purpose. The plan is to be used in whole or in part by any means whatsoever is strictly prohibited.
 3) Blueprints For The Handyman should not be made for any other plan. The Project requires use of the plan, the Project or for any loss or damage resulting therefrom."

NOTE: Read all directions before beginning
 Carpenters Glue should be used to reinforce all joints
 Set all nails and countersink all screws

Directions

1) Lay out your material on the workbench, or on saw horses, as outlined in the suggested materials layout (Fig. 1). Draw out all parts exactly to scale in the cutting diagram (Fig. 2). Ensure to leave a small space between lines to allow for the width of the saw. Before cutting, double check all measurements to ensure that they are correct. Always cut on the waste side of the line. Wipe any excess glue off at each stage of the project. After you make your first cut, check the angle with a protractor to ensure it is correct. Take care when making the angle cuts as they are crucial to the proper construction of the project. Normally, when two sides of the same piece are cut on angles, you are given the measurements of the longest side. You can use a protractor to measure the first angle cut, and use that piece as a template for the same cuts. Note that the angles for the cuts differ between pieces HC and BCD. Drill 5/16" holes in pieces H and D where indicated.

2) Lay out two pieces D in an "x" shape as shown (Fig. 3). Bolt the two pieces together with a 5/16" x 4" bolt and two washers. Repeat this operation with the second set of pieces D. Tighten the bolts so that the ends of the legs remain 26 3/4" apart. Note bolts should be snug but not over tight. Mark the centre of pieces B 13 3/8" from the centre on each side. Lay in piece C, the end of C flush with the mark, and the other 2 5/8" inside of the mark. The 2 5/8" gaps should be on the opposite sides, one on the left and one on the right. Pre-drill the 2 5/8" gaps into B with eight #8 2 1/2" flathead screws. Lay in the leg assemblies DD so that one D is flush with B and the end of C, this would be on the "gop" side, and the other D lays stop C, flush at the end. Drill through D and B on the "gop" side, and through B,C, and D on the other, with a 5/16" drill bit. Bolt the pieces together with two 5/16" x 4" bolts and two 5/16" x 5" bolts, one of each for each leg assembly. Two washers should be on each bolt.

3) Lay out the eight pieces A as shown (Fig. 4). The pieces A are 1/4" apart, you can use a scrap piece of plywood to space them 3/4" apart. Lay out the eight pieces A in a 2x4 grid. Lay out the eight pieces B on the pieces A, 9" in from the centre. The centre of A is at 23" and 2 5/8" from each side. Mark each piece B with sixteen marks, 1" in from the edge of each piece A, and also on additional mark 1" from the first on the outside ends as shown in the screw layout detail. Avoid places where the bolts or screws already attach B to C and D. Pre-drill through the pieces B at these marks with a 1/8" drill bit, and countersink the holes with a 1/4" bit to a depth of 1/8". Screw the pieces B to the pieces A with thirty two #8 2 1/2" flathead screws.

OVER

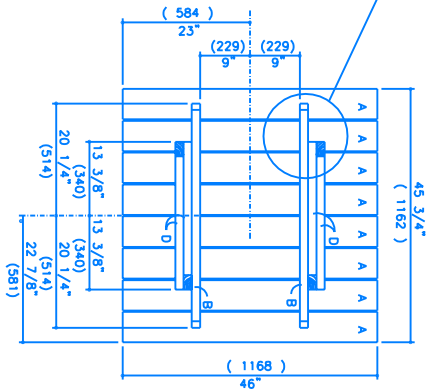
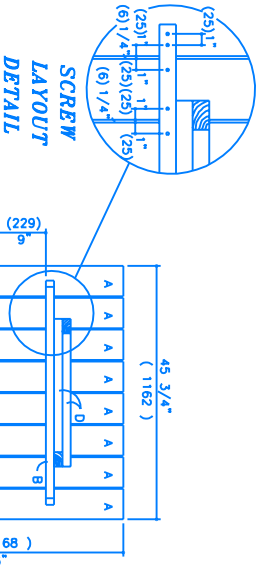


TABLE UNDERSIDE
 FIGURE 4

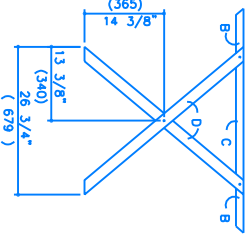
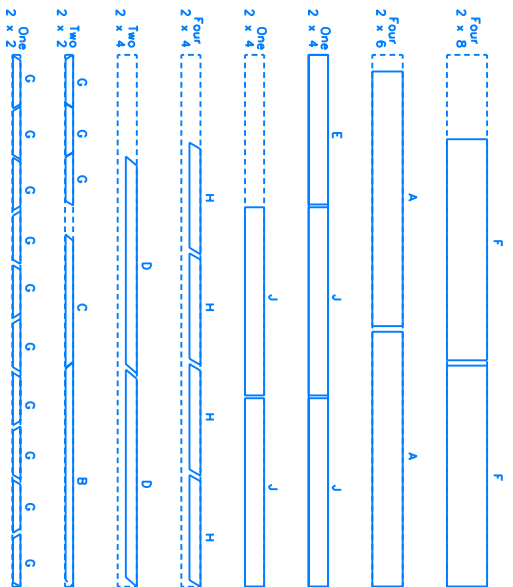
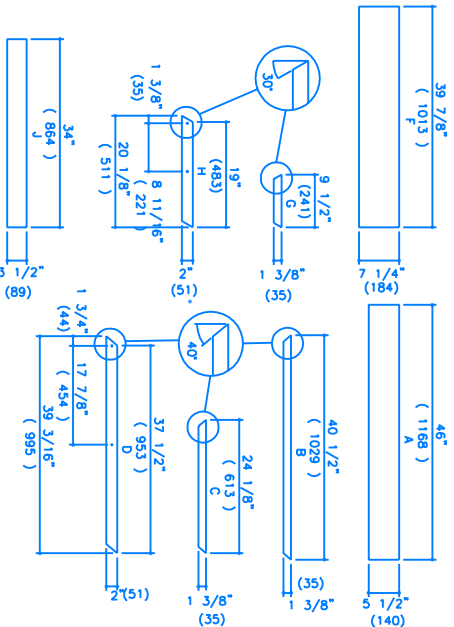


TABLE END
 FIGURE 3



MATERIALS LAYOUT
 FIGURE 1



CUTTING DIAGRAM
 FIGURE 2

PATIO TABLE & CHAIRS - Project #208

MATERIALS LIST

Approx. one hundred #8 2 1/2" flathead screws
 Twenty eight 5/16" x 4" bolts & nuts
 Two 5/16" x 5" bolts & nuts
 Approx. twenty #8 3" flathead screws
 Sixty 5/16" washers
 Four 7 2x8 (1 1/2" x 7 1/4")
 Four 8 2x6 (1 1/2" x 5 1/2")

MATERIALS LIST

One 8 2x4 (1 1/2" x 3 1/2")
 Seven 7 2x4 (1 1/2" x 3 1/2")
 Three 8 2x2 (1 1/2" x 1 1/2")
 Sandpaper
 Stain

TOOLS

Table Saw and Power Sander
 Pencil and Measuring Tape
 Power or Hand Drill
 1/8", 1/4", 5/16" drill bits
 Hammer and Screwdrivers
 Square and Nail Set
 Plane and Joint Brushes
 Wrenches to match bolts